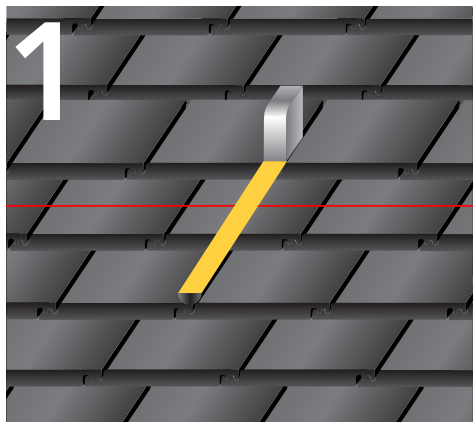
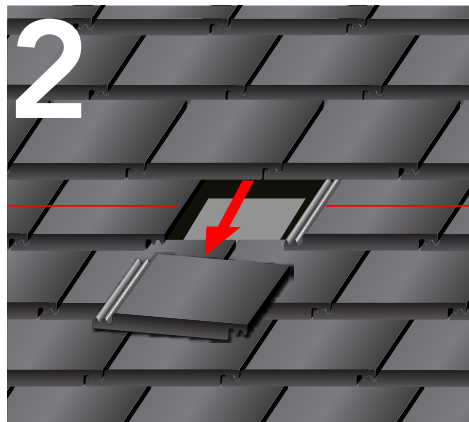


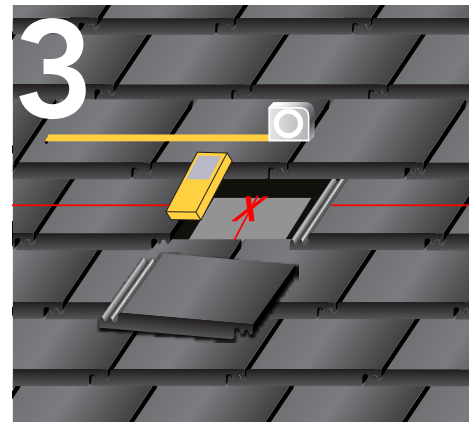
### [3.2.7] Roof Hook Installation



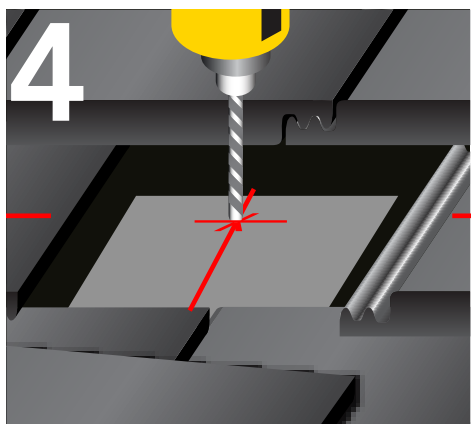
STEP 1: Snap horizontal line with chalk line.



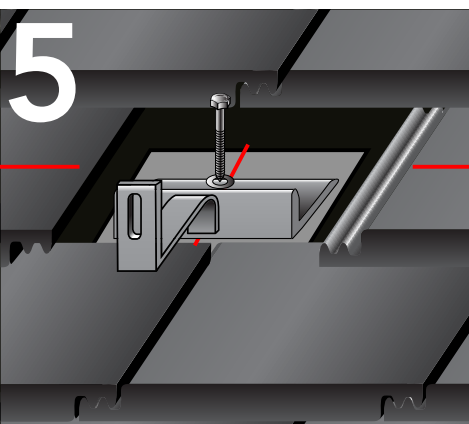
STEP 2: Remove tile.



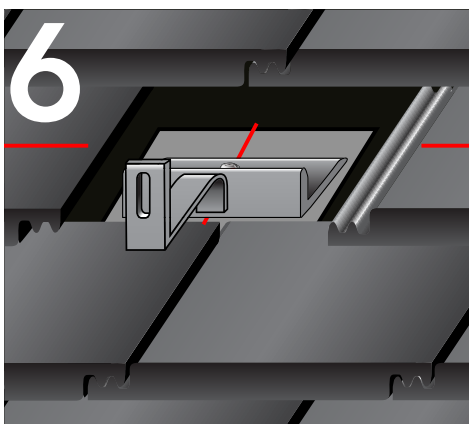
STEP 3: Use studfinder and measuring tape to find rafters



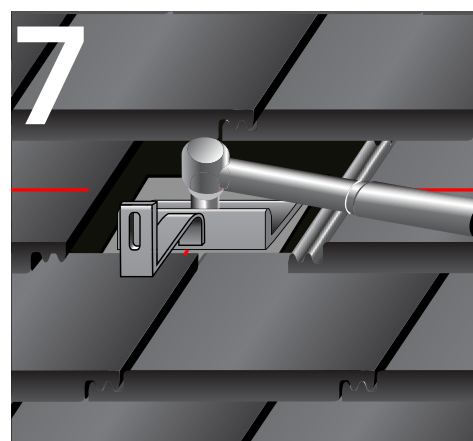
STEP 4: Drill a pilot hole (1/4" diameter). Backfill with sealant.



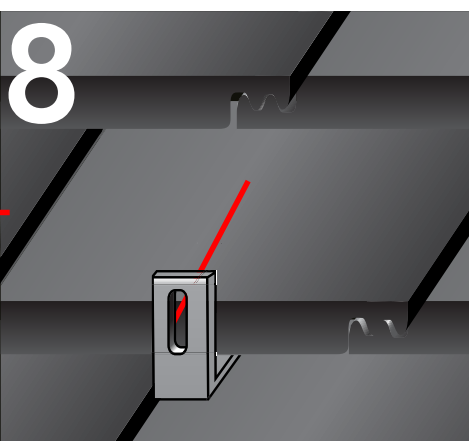
STEP 5: Line up pilot hole with roof bar holes



STEP 6: Insert lag bolt through 5/16" SS flat washer through roof hook and into the rafter.



STEP 7: Tighten lag bolt using a 5/16" socket wrench to between 100-140 inch pounds depending on the type of wood and time of year.



STEP 8: Reinstall Tile. Underside of roof tile may have to be notched in order to seat flush onto roof hook.