

**SWH COPPER-TIN PLATED GROUNDING LUG**

Part No. EA-SW-GL-02CT

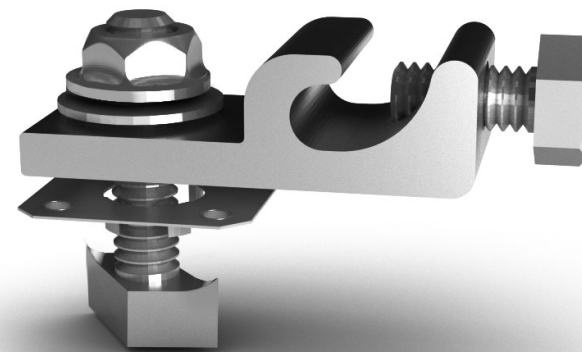
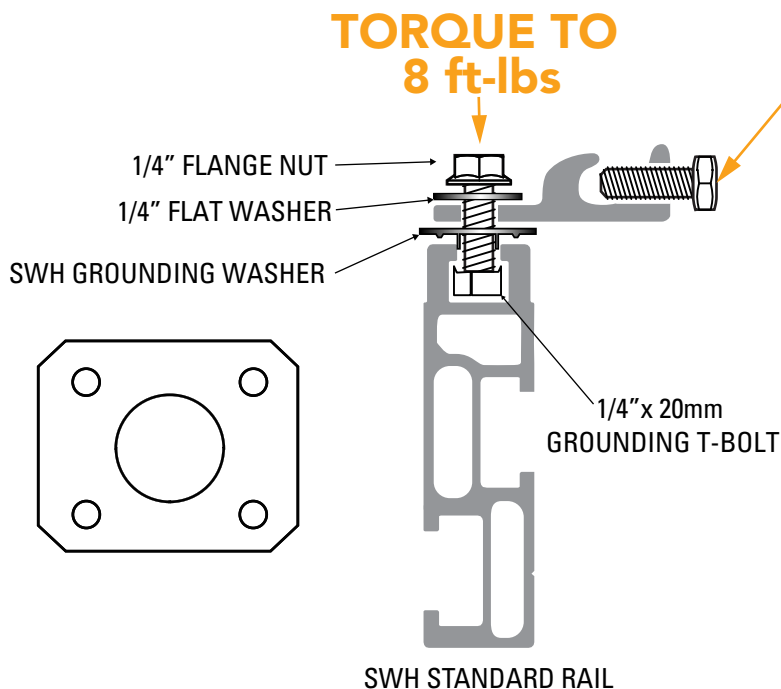
**UL2703**

LISTED

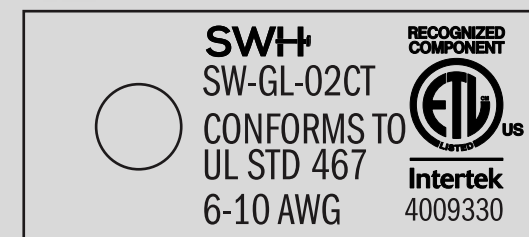


**Intertek**

#4009330



TOP VIEW



\*Method of Marking:  
Laser marking or machine stamped

\*NOT TO SCALE

All wire sizes, unless noted otherwise are American Wire Gauge (AWG)

Slide or drop SW-GL-02CT grounding lug into top mounting slot of rail. Torque lug in place to 8 ft-lbs. Torque wire terminal screw to 2 ft-lbs. Nibs will penetrate rail anodization and create grounding path through rail.



SWH grounding clip and washer are intended for SINGLE USE ONLY. Functionality may be compromised if reused.