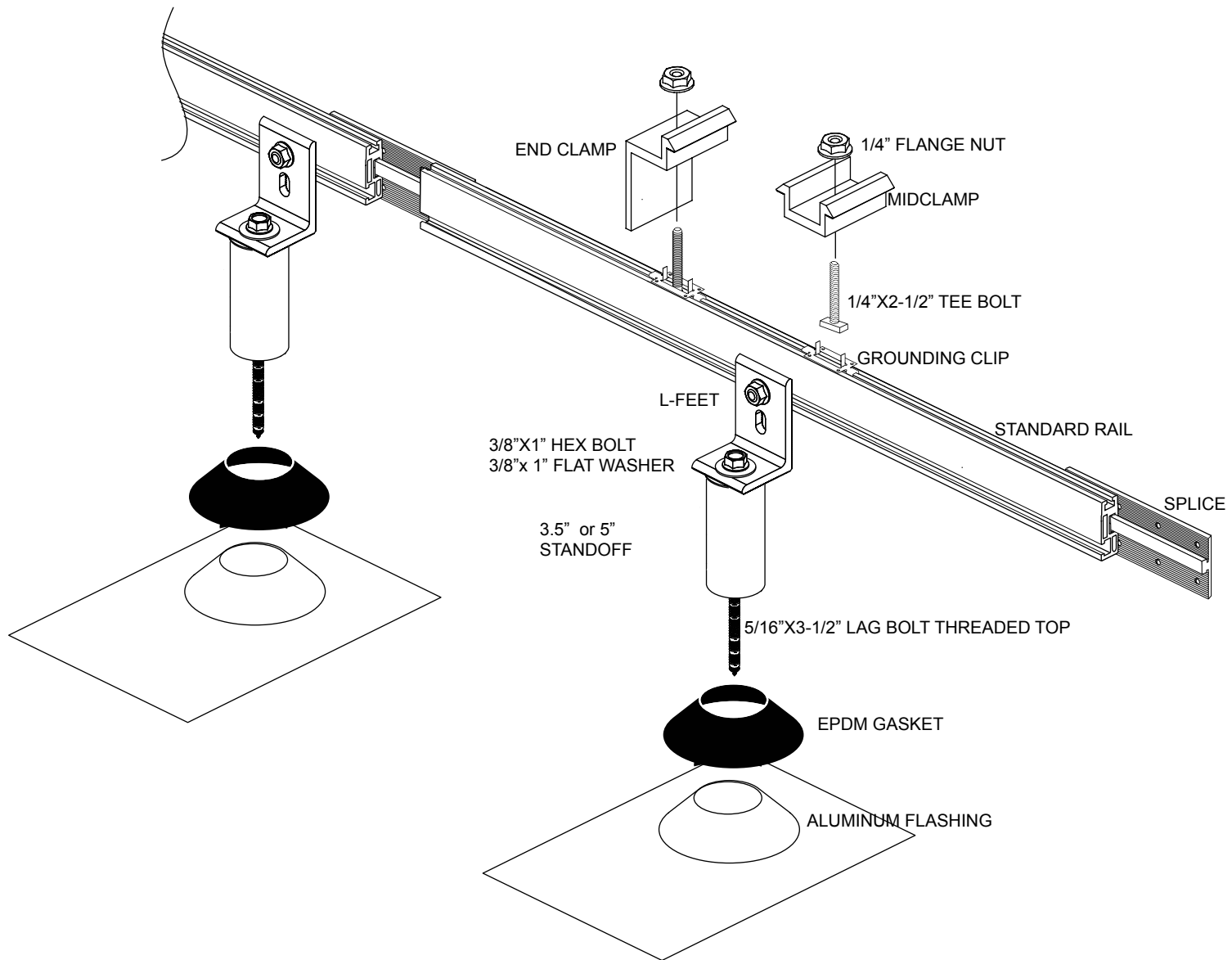


SWH - STANDOFF WITH FLASHING FOR COMP ROOF



SWH - STANDOFF WITH FLASHING FOR COMP ROOF

STANDARD RAIL 10.5' (CLEAR), 12' (CLEAR),
14' CLEAR/BLACK, 17' CLEAR
• MR-SW-SR-10.5, MR-SW-SR-12,
MR-SW-SR-14, MR-SW-SR-14B,
MR-SW-SR-17

L-BRACKET 2"X2"X3" (CLEAR/BLACK),
L-BRACKET SHORT 2"X2"X2" (CLEAR/BLACK)
• MR-SW-LB90, MR-SW-LB90B,
• MR-SW-LB90S, MR-SW-LB90SB

3/8" X 3/4" SS T-BOLT
3/8" SS FLANGE NUT

3/8" X 1" HEX BOLT
3/8" FLAT WASHER

5/16" FLAT WASHER
5/16" EPDM GASKET

5/16" X 3-1/2" LAG BOLT

EPDM GASKET

END CLAMP "E", "F", "K", "C" (CLEAR/BLACK)
• MR-SW-EE-50, MR-SW-EE-50B,
MR-SW-EF-45, MR-SW-EF-45B,
MR-SW-EK-40, MR-SW-EK-40B

MID CLAMP (CLEAR/BLACK)
• MR-SW-MC-20, MR-SW-MC-20B

GROUNDING CLIP
• EA-SW-GC-01

GROUNDING LUG
• EA-SW-GL-01

GROUNDING BOLT
• EA-SW-GB-01

L-BRACKET 2"X2"X3" (CLEAR/BLACK),
L-BRACKET SHORT 2"X2"X2" (CLEAR/BLACK)
• MR-SW-LB90, MR-SW-LB90B,
MR-SW-LB90S, MR-SW-LB90SB

STANDOFF 3.5" (CLEAR/BLACK),
STANDOFF 5" (CLEAR/BLACK)
• MR-SW-HP-35S, MR-SW-HP-35SB,
MR-SW-HP-5S, MR-SW-HP-5SB

STANDOFF EXTENSION 3.5" (CLEAR/BLACK),
STANDOFF EXTENSION 5" (CLEAR/BLACK)
• MR-SW-HP-35S, MR-SW-HP-35SB,
MR-SW-HP-5S, MR-SW-HP-5SB

SWH ROOF FLASHING
• MR-SW-RF-1210, MR-SW-RF-1210B

1/4" FLANGE NUT

1/4" X 2" T-BOLT

